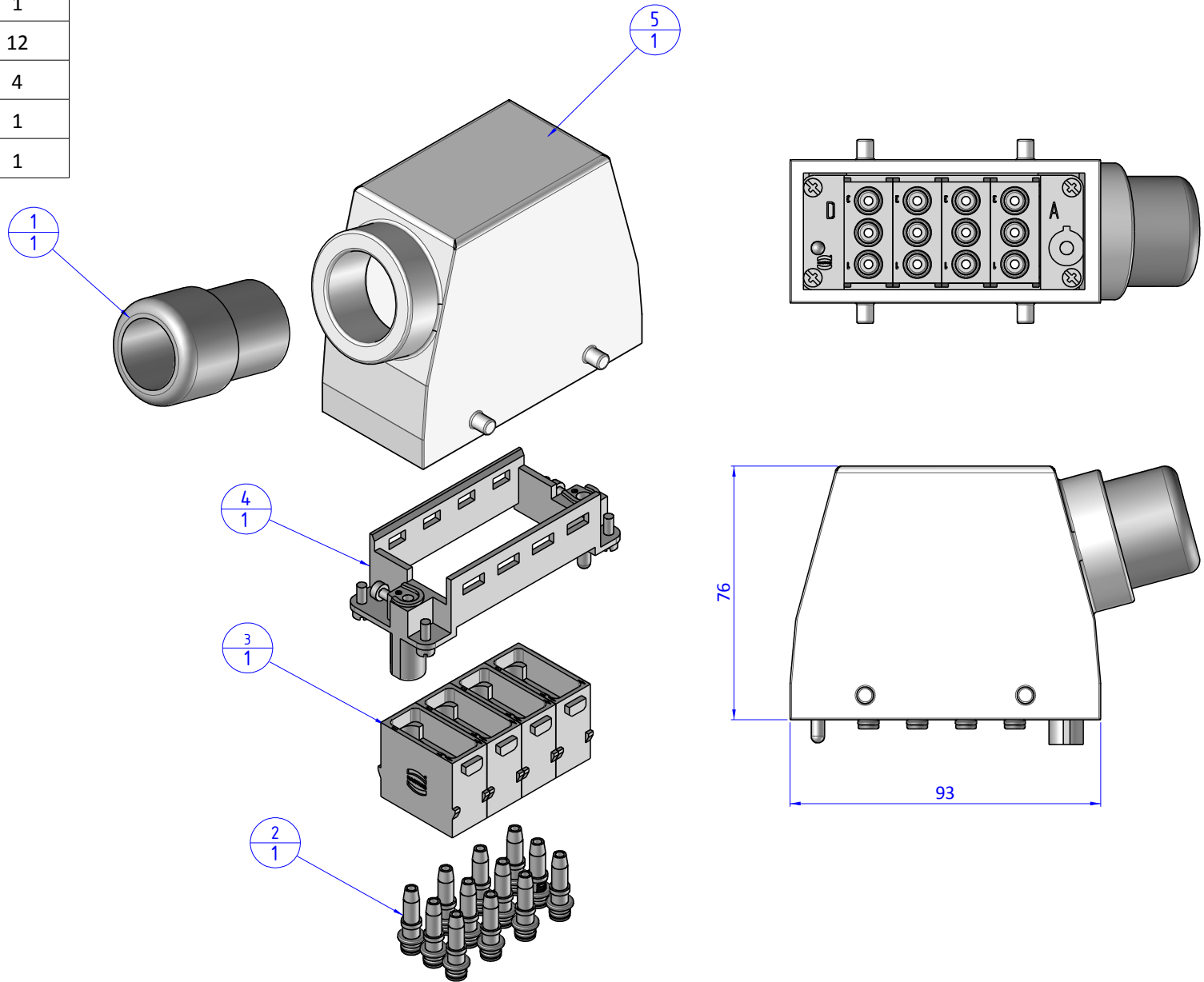



THE PROPERTY OF THE DRAWING IS ESTABLISHED BY LAW. IT IS FORBIDDEN TO PRODUCE OR SHOW IT TO THIRD PARTY, WITHOUT A WRITTEN AGREEMENT.

Item	Name	Q.ty
1	PG21	1
2	SCA.09140006153	12
3	SCA.09140034501	4
4	SCA.09140160361	1
5	SCA.09300160520	1



Format A3

UNI 936-76

 FPS FPSERVICES AUTOMATION		DESIGNED FROM		REVIEW
		FPS Automation		A
GENERAL TOLERANCE		DATE	WEIGHT	
UNI - ISO 2768		03/06/2019	0,000kg	
CLASSE f		CODE		
		CA.SCAG.12P00E		CA.SCAG.12P00E